
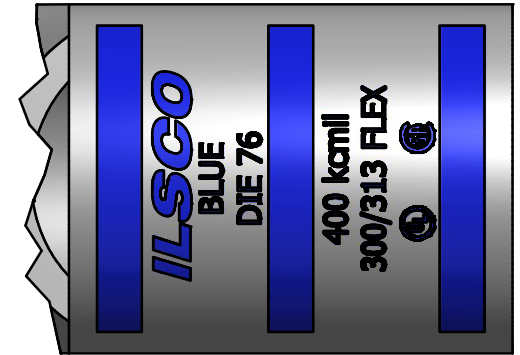
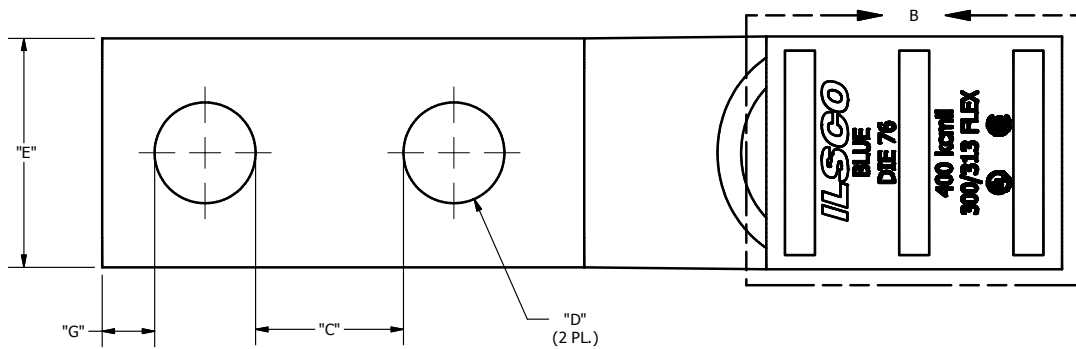
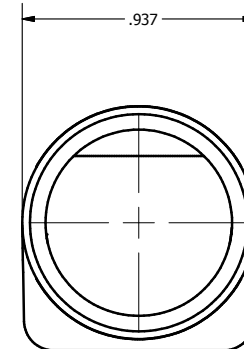
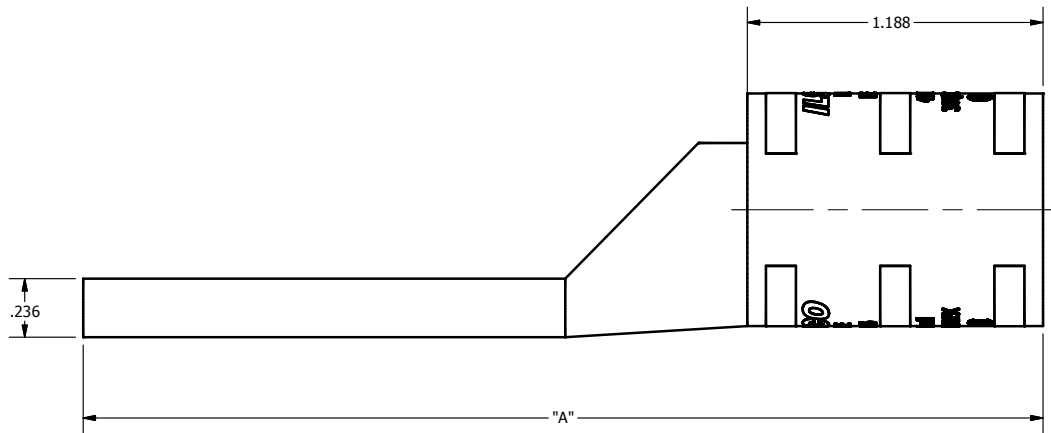


SCREW: NONE	MATERIAL: COPPER	REV: C	 800-776-9775 www.ilSCO.com		
CAT. NO.: SEE CHART	PLATING: EL-TIN	DRAWN BY:DW			SCALE: .75:1
INFORMATION SHEET:FORM 157	MARKING: SEE CHART	DATE:11/3/2010			SIZE: B
			DWG NO:	YN1411-D	
			SHEET:	1 OF 1	



DETAIL B, SCALE 3 : 1  
TOP AND BOTTOM INK MARKINGS ARE IDENTICAL  
INK COLOR:BLUE



Catalog Number	"A"	"C"	"D"	"E"	"G"	TANG MARKING
CSWN-400-38-1	3.792	0.594	0.406	0.922	0.211	UL, ILSCO, CSA, CSWN-400-38-1, 400 kcmil, 300/313 FLEX, DIE 76

THE INFORMATION CONTAINED WITHIN THIS DOCUMENT IS PROPRIETARY TO ILSCO AND MAY NOT BE DISCLOSED WITHOUT PRIOR WRITTEN CONSENT